



KSP®

MACHINE TOOL DIVISION

DUAL JET X12-X14-X16-X18
INDUSTRIAL FRONT LOADING WASHING
MACHINE WITH HIGH-PRESSURE STATION



DUAL JET SERIES

16



DETAILED
CLEANING



ALL IN ONE
DESIGN



FULLY
AUTOMATIC



TECHNICAL
SERVICE

	DUAL JET X12	DUAL JET X14	DUAL JET X16	DUAL JET X18
Basket Diameter (mm)	1200	1400	1600	1800
Loading Height (mm)	700	700	800	900
Loading Capacity (kg)	500	650	750	850
Washing Tank Capacity (L)	250	300	350	450
Pump Pressure (bar)	2,5	2,5	2,5	2,5
Pump Capacity (L / min)	200 - 220	200 - 220 (Total: 400-450)	200 - 220 (W: 600 - 650)	200 - 220 (W: 600 - 650)
Pump Quantity and Power	1 pc. x 3,0 Hp	2 pcs. x 3,0 Hp	3 pcs. x 3,0 Hp	3 pcs. x 3,0 Hp
High-Pressure Pump Capacity (L / min)	14	14	14	14
High-Pressure Pump Pressure (bar)	60 (150 bar optional)	60 (150 bar optional)	60 (150 bar optional)	60 (150 bar optional)
Heater (kW)	15	22,5	22,5	22,5
Electricity (V / Phase / Hz)	220 - 380 - 415 / 1 - 3 / 50 - 60	220 - 380 - 415 / 1 - 3 / 50 - 60	220 - 380 - 415 / 1 - 3 / 50 - 60	220-380-415/3-1/50-61
Process Timer (min)	0 - 90	0 - 90	0 - 90	0 - 90
Working Temperature	0 - 80°C	0 - 80°C	0 - 80°C	0 - 80°C
Loading Vehicle	s	s	s	s
Rotary Basket	s	s	s	s
Oil Skimmer	s	s	s	s
Drying Unit	o	o	o	o
30" Precision Bag Filter System	o	o	o	o
30" Precision Cartridge Filter System	o	o	o	o
Safety Light Barrier	o	o	o	o
Process Height Adjustment System	o	o	o	o
Automatic Basket Loading System	o	o	o	o
Steam Extraction System	o	o	o	o
Mist Collector Unit	o	o	o	o
PLC Control and Touch-Screen	o	o	o	o
Water Level Control and Automatic Feeding	s	s	s	s
AISI430 Stainless Steel Material	s	s	s	s
AISI304 Stainless Steel Material	o	o	o	o
AISI316 Stainless Steel Material	o	o	o	o
Packing Size and Weight (mm - kg)	1820 x 1530 X 2410 - 600 kg	1920 x 2020 x 2440 - 700 kg	2220 x 1930 x 2510 - 800 kg	2430 x 2320 x 2640 - 950 kg

s standard o optional



SPECIFICATIONS

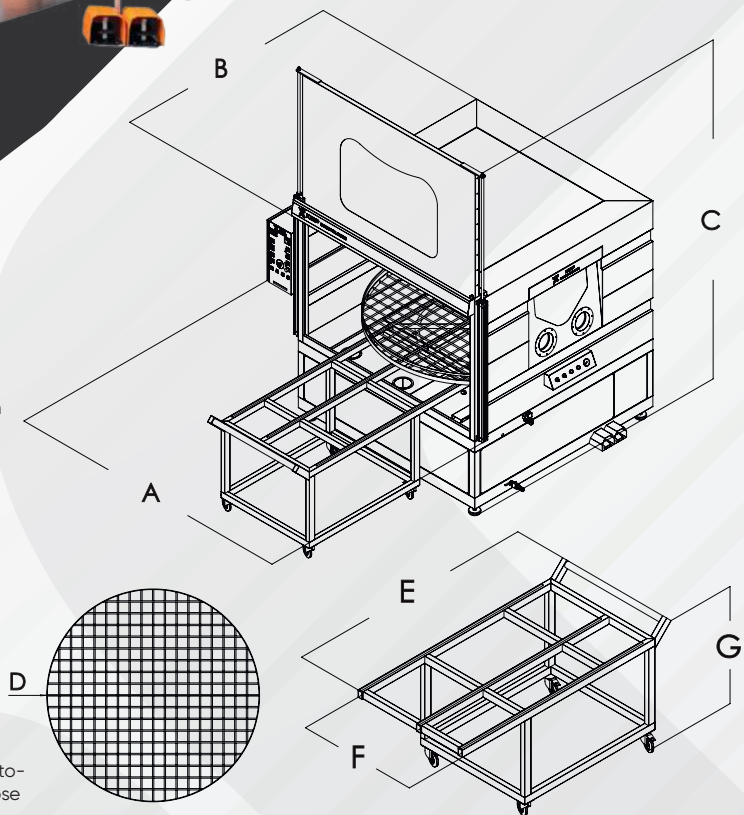
- Stainless Steel Body, Basket and Pipes
- Cleaning Process Timing
- Developed to save water, detergent and energy
- Minimum water consumption by closed circuit water cycling system
- Heated water (solution) dispensed through jet nozzles to the part
- High user safety on pneumatic pistons
- Belt-Pulley driven rotary table
- A water level sensor is used to protect the pumps and heaters against dry running
- Heating elements are made of special material incoloy alloy
- European Electrical and Technical Components
- High-performance and reliable European Pumps
- Pneumatic Front Door System

WORKING PRINCIPLE

KSP aims to maintain its leadership in the sector with its Dual Jet Automatic Spray and Manual High Pressure Parts Washing Machine, whose design and production is completely owned by KSP Machine.

The feature that distinguishes our Dual Jet Series model from other rotary basket models is its double unit and captures high cleaning sensitivity. By the help of high-pressure unit, DualJet Series grant access to surfaces on complex parts that Automatic Spray Washing System with rotary basket cannot clean. Also, it grants better cleaning results and higher affect on hard dirt. Thanks to the features of DualJet, it increases the washing sensitivity by decreasing the washing time.

Dual Jet Series is designed to save operating costs and time. Appropriate washing time, washing temperature and washing chemicals are determined according to the material and pollution of the part to be washed. The machine is capable of automatic spray washing, manual high pressure washing and optional drying process. Dual Jet Series is designed to save operating costs and time.



	X12	X14	X16	X18
A	1725	1975	2200	2500
B	1450	1650	1900	2100
C	3025	3100	3100	3400
C _{Close}	2150	2250	2400	2600
D	1200	1400	1600	1850
E	1500	1600	1850	2050
F	750	750	1000	1000
G	1050	1050	1050	1050