



KSP®

MACHINE TOOL DIVISION

DPF SERIES
**DIESEL PARTICULATE FILTER
CLEANING MACHINES**



**TOUCH
SCREEN**



**BEST
PERFORMANCE**



**FULLY
AUTOMATIC**



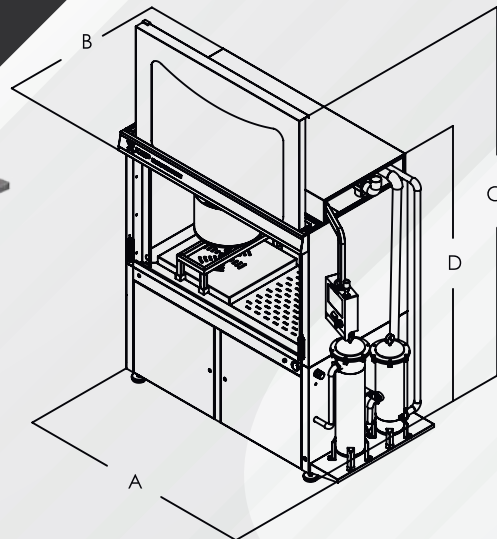
**DETAILED
TESTING-WASHING-DRYING**

DPF SERIES

4

	DPF-S900	DPF1800-F	DPF1800-PRO	DPF1800-PREMIUM
Cabin Capacity (mm)	1000 x 1000 x 1125	1800 x 600 x 1000	1800 x 600 x 1000	1800 x 600 x 1000
Loading Capacity (kg)	250	250	250	250
Stainless Steel Construction	s	s	s	s
Back Pressure Test and Printer	s	s	s	s
Drying System	s	s	s	s
HMI Touch Screen	7"	10"	10"	10"
Multilingual User Interface	s	s	s	s
Control Panel Support Arm	na	s	s	s
Operator Panels	s	s	s	s
Strongest Filter Holder	s	s	s	s
Twin SS Filtering System	na	s	s	s
30" SS Bag Filter	s	s	s	s
30" SS Multi Cartridge Filters Housing (5)	na	s	s	s
Air Pressure Regulating	s	s	s	s
High Pressure Washing Gun	s	s	s	s
Air Output Valve	s	s	s	s
Cabin Air Gun	s	s	s	s
Flat Rubber Adapters	3 pcs.	4 pcs.	4 pcs.	4 pcs.
Conical Adapters	2 pcs.	2 pcs.	2 pcs.	2 pcs.
IP67 Cabin Lighting	s	s	s	s
Water Level Switch	s	s	s	s
Steam Discharge Fan	s	s	s	s
Double-Hand Control System	na	na	s	s
Safety Light Curtain	na	na	o	s
Tank Capacity (L)	150	240	240	240
Tank insulation 19 mm Dynaflex	s	s	s	s
Electricity (V / Phase / Hz)	380-440 / 3 / 50	380-440 / 3 / 50	380-440 / 3 / 50	380-440 / 3 / 50
Power Consumption (kW)	20	27	27	27
Compressor Need	7 - 10 CFM, 7 - 8 bar	8 - 10 CFM, 7 - 8 bar	8 - 10 CFM, 7 - 8 bar	8 - 10 CFM, 7 - 8 bar
AISI430 Stainless Steel Material	s	s	s	s
AISI430 Stainless Steel Material	o	o	o	o
AISI430 Stainless Steel Material	o	o	o	o
Packing Size and Weight (mm - kg)	1430 x 1170 x 2350 - 450	1080 x 2130 x 2500 - 700	1080 x 2130 x 2500 - 700	1080 x 2130 x 2500 - 700

s standard o optional na not available



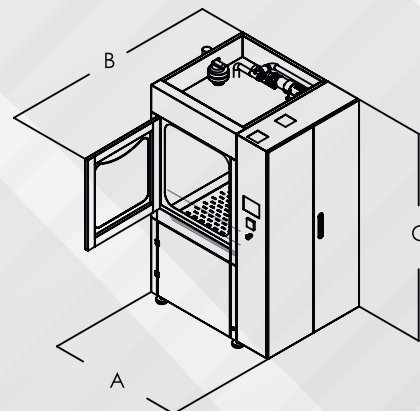
	DPF1800-F	DPF1800
A	2100	2100
B	1050	1050
C	X	3100
D	2375	2375
E	480	480

SPECIFICATIONS

- Stainless Steel Body
- Cleaning Process Timing
- Developed to save water, detergent and energy
- Minimum water consumption by closed circuit water cycling system
- PLC Control via Touch-Screen
- 3 Staged Stainless Steel Reusable Filtering
- Testing System with Printed Report
- A water level sensor is used to protect the pumps and heaters against dry running.
- Heating elements are made of special material incoloy alloy
- European Electrical and Technical Components
- High-performance and reliable European Pumps
- Pneumatic Front Door System
- Fully Automatic Washing Programs
- Filter Fixing Mechanism
- Connecting Apparatus for Commercial Car and Trucks
- High Pressure Washing Unit

WORKING PRINCIPLE

KSP Machine has developed the best automatic Diesel Particulate Filter Washing Machine with its 20 years of engineering experience. The DPF1800 was designed and programmed entirely by KSP Engineers after intensive R & D work. The DPF1800 is designed to clean Particle Filters for both passenger and commercial vehicles. Thanks to the independent Washing and Drying systems, washing and drying operations can be performed on 2 different filters at the same time. The DPF1800 provides more than 99% cleaning performance by regulations made by KSP Engineers and allows you to prove it with the help of the printed test report before and after cleaning. The test procedure is carried out by the back pressure test method, just like in cars. All functions and safety measures of the machine are controlled by PLC and Safety Relays. With pre-defined washing programs and Touch Screen, anyone can become an expert in Particulate Washing. DPF1800 is designed according to CE Norms and Safety Rules; limited for the safety of both the user and DPFs. Controls and even lighting are done with 24V DC. Filtering system on the Washing System always grants you to have clean water and let you make more efficient cleaning for the DPF' s. These changeable and washable filters protect you from any future loss or additional costs that can appear for both machine and the work you have done.



	DPF-S900
A	1450
B	1950
B _{close}	1100
C	2200

