



KSP[®]
MACHINE TOOL DIVISION

PAW400-800-1000
PLATFORM AGITATION WASHING MACHINES



PAW SERIES

22



	PAW400	PAW800	PAW1000
Loading Capacity (kg)	400	800	1000
Inside Tank Material Stainless Steel	AISI304	AISI304	AISI304
Platform (mm)	900 x 700	1100 x 700	1300 x 900
Solution Volume (L)	800	1200	1900
Solution Depth (mm)	800	900	1100
Electricity (V / Hz / Phase)	220 - 380 - 415 / 1 - 3 / 50 - 60	220 - 380 - 415 / 1 - 3 / 50 - 60	220 - 380 - 415 / 1 - 3 / 50 - 60
Filtering System	2 Hp Recirculation Pump, 500 - Micron Filter	2 Hp Recirculation Pump, 500 - Micron Filter	2 Hp Recirculation Pump, 500 - Micron Filter
Pneumatic Platform Movement System	s	s	s
Platform Movement (mm - Height of the part)	400	500	700
Heating resistance (kW - Pcs.)	7,5 x 4	7,5 x 4	7,5 x 4
PLC Control and HMI	s	s	s
Cycle	o	o	o
Thermostat	0 - 80°C	0 - 80°C	0 - 80°C
Control Voltage (VDC)	24	24	24
Required Air Pressure (bar)	8 - 10	8 - 10	8 - 10
Agitation	Fast or Slow Agitation Speed	Fast or Slow Agitation Speed	Fast or Slow Agitation Speed
Cover Lift System	o	s	s
AISI430 Stainless Steel Material	s	s	s
AISI304 Stainless Steel Material	o	o	o
AISI316 Stainless Steel Material	o	o	o

■ standard ● optional





**PAW PLUS
FULL AUTOMATIC PLATFORM
AGITATION AND ROTATION
WASHING MACHINE**



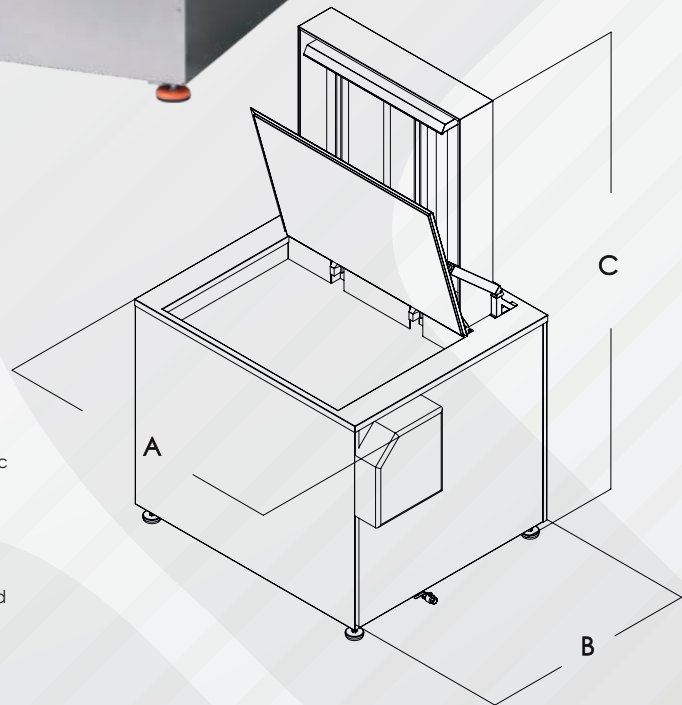
SPECIFICATIONS

- Stainless Steel Body
- Stainless Steel Platform and Piping
- Stainless Steel Precision Filtration System
- Platform Agitation
- 360 Degree Rotation Capability
- Chip Separation Conveyor
- Right and Left Oscillation in the Desired Angle Range
- Water Level Control and Resistance-Pump Protection System
- PLC Control - Touch screen
- European Electrical and Technical Components
- Electric Leakage Protection and 24V Control System
- Emergency Button

WORKING PRINCIPLE

PAW SERIES are the top of the line design of the traditional pneumatic driven platform agitation part washers. It is ideal for use in many industries including transportation, metalworking, printing, and reconditioning. The movement of parts within the liquid reduces dramatically the washing time and improves the cleaning efficiency, without negatively affecting the duration of the cleaning media. KSP Machine PAW series are designed for the removal of oils, chips, and particulate from a wide range of components by using water-based detergents and environmentally safe solvent chemistries. All controls have been doing by PLC control unit.

PAW PLUS SERIES is the design of KSP that creates a new washing method by blending platform movable immersion tanks with the latest and best technology. KSP; Along with the standard PAW series models, the PAW Plus model was designed as a result of R&D studies in line with customer needs. PAW Plus provides effective washing of especially complex workpieces in many industries. In sectors such as Automotive, Metalworking, Aerospace and Heavy Industry, specific workpieces with a complex structure are fixed in a fixture, rotated 360 degrees in the immersion tank, shaken and created a jacuzzi (agitation) effect, such as oil removal, chip removal after machining, part cleaning and paint removal. It allows you to implement processes. It will be sufficient to change the detergent according to your process needs. All process controls of PAW Plus are managed via PLC. Thanks to its touch screen and perfect design, all control is in your hands.. We recommend that you contact us about all industrial parts washing machines, systems and projects that require a washing process.



	PAW400	PAW800	PAW1000
A	1450	1650	1875
B	1275	1275	1475
C	2250	2450	2850